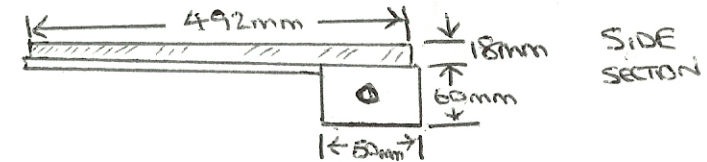
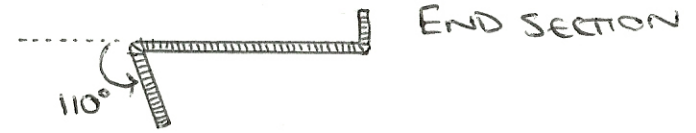


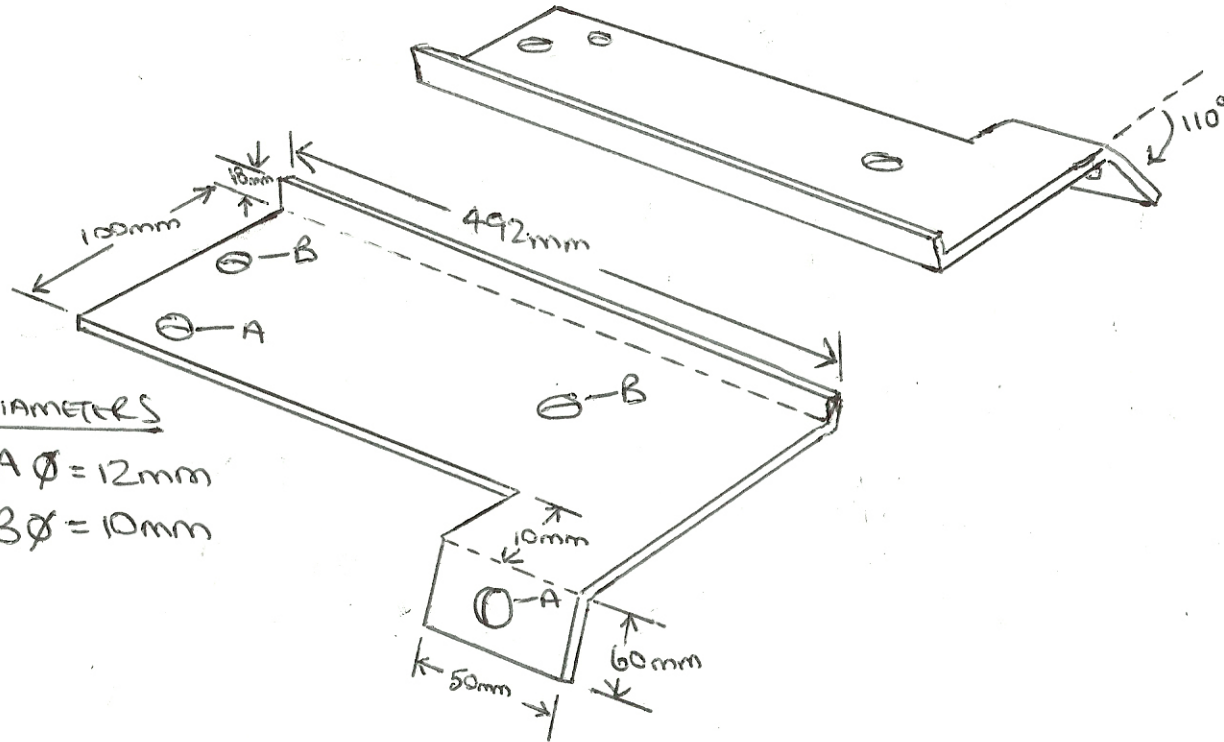
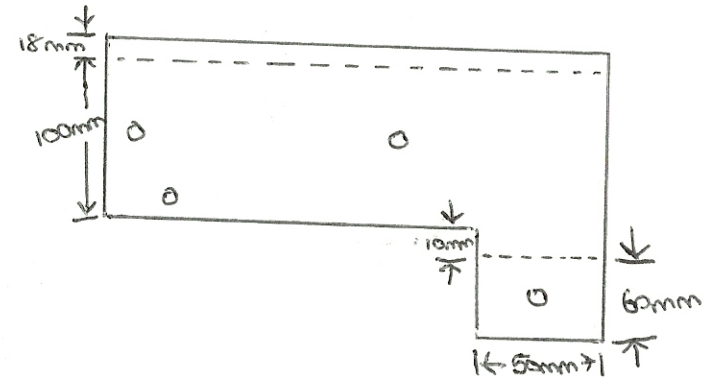
# CENTRAL BRACKETS (x2 MIRRORED)

ROBERT BELL 4th Nov 2011

## SECTION



## PLAN

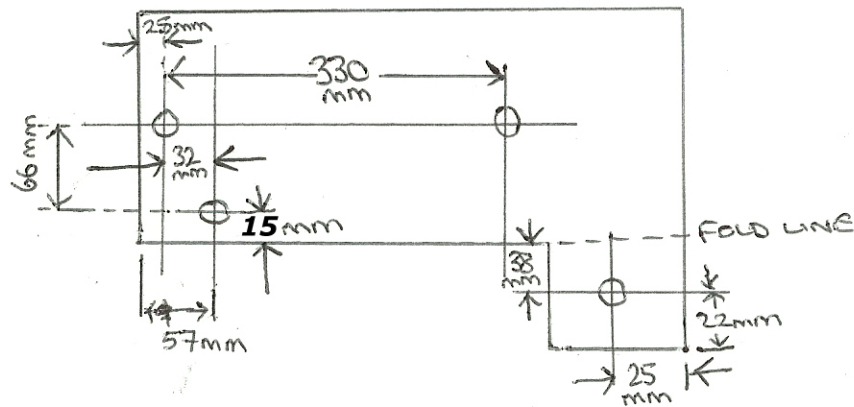


## HOLE DIAMETERS

A  $\varnothing = 12\text{mm}$

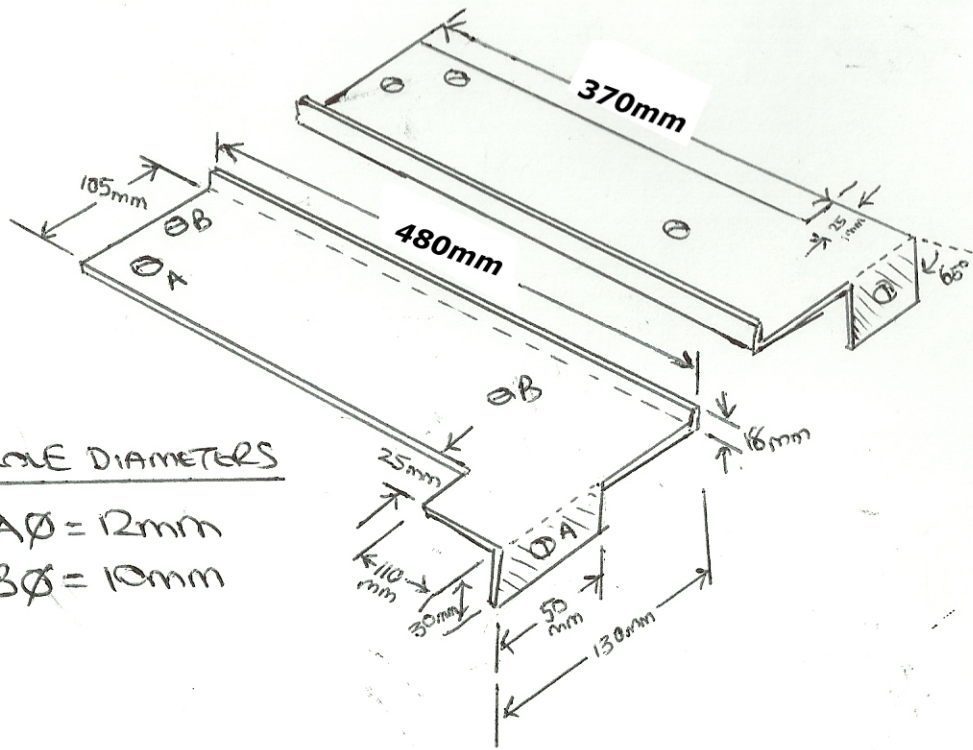
B  $\varnothing = 10\text{mm}$

## HOLE POSITION DETAIL



NOT TO SCALE

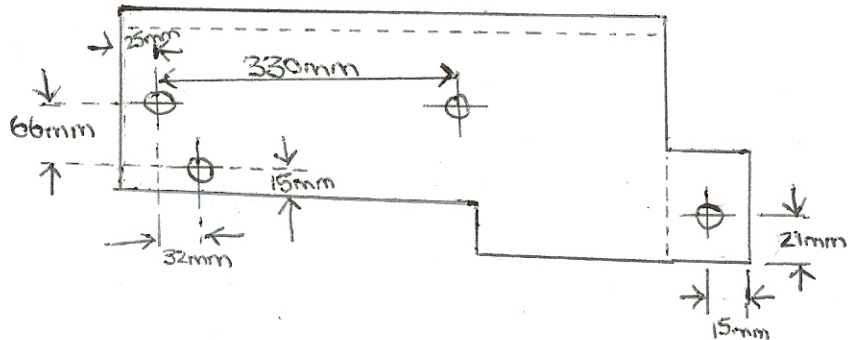
# OUTER BRACKETS (2x MIRRORED)



## HOLE DIAMETERS

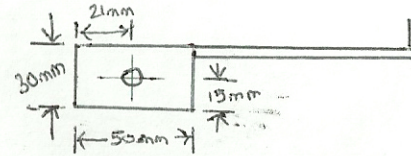
A  $\varnothing = 12\text{mm}$   
 B  $\varnothing = 10\text{mm}$

## HOLE POSITION DETAIL

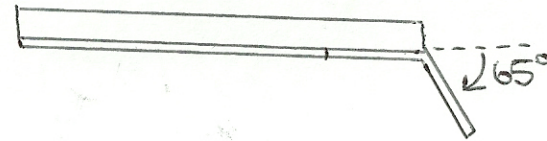


## SECTIONS

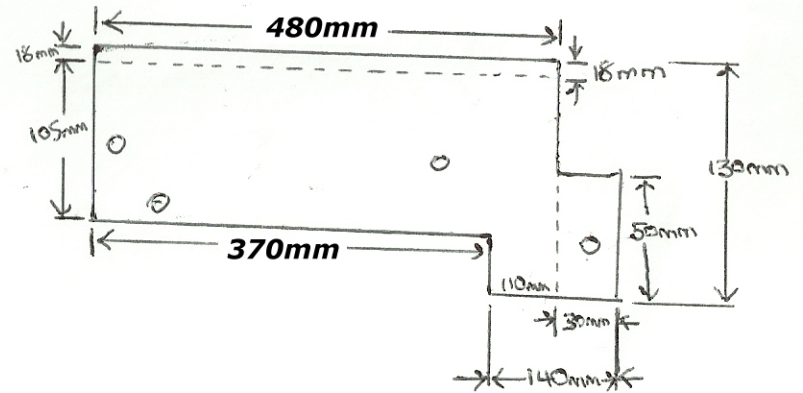
### ① END SECTION



### ② SIDE SECTION



## PLAN



NOT TO SCALE